

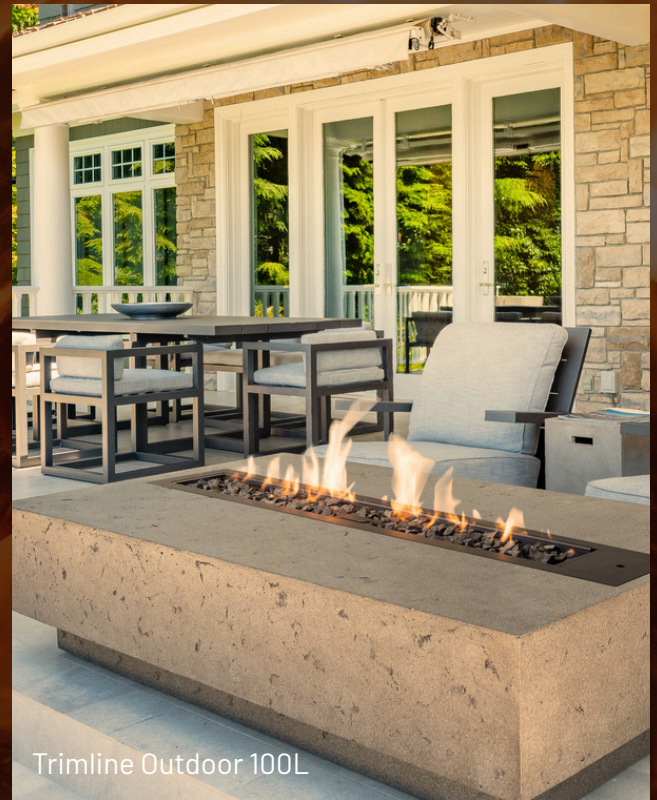


Trimline Outdoor 30S

# Trimline Outdoor 30S/ 50L/75L/100L



Trimline Outdoor 50L



Trimline Outdoor 100L

Sleek. Smart. Strikingly adaptable. The Trimline Built-in Burner Tray Series redefines the way fire integrates into your outdoor space. Designed for minimalists and design-lovers alike, this open-style burner tray brings clean fire aesthetics to life – with the freedom to shape your own installation around it.

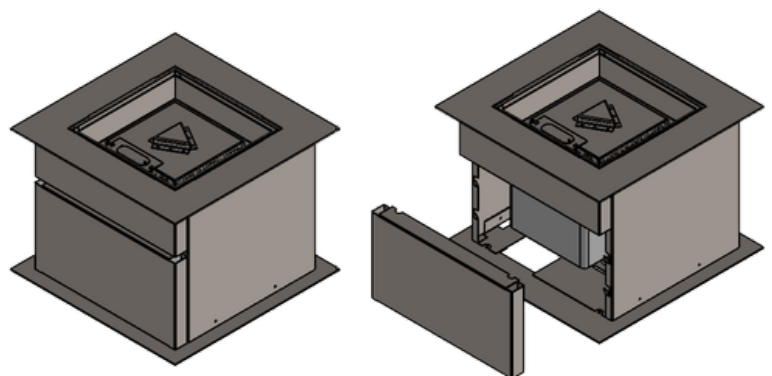
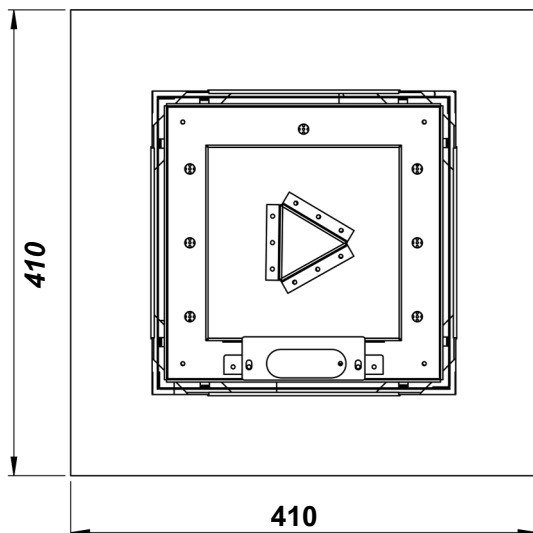
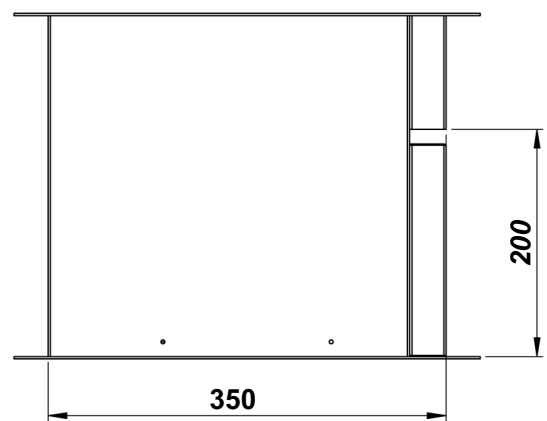
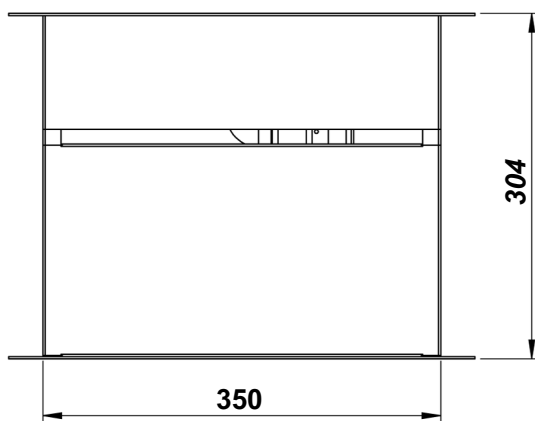
Available in four meticulously engineered formats – 30S, 50L, 75L, and 100L – the burner tray series fits effortlessly into a wide range of outdoor concepts.

# Technical specifications

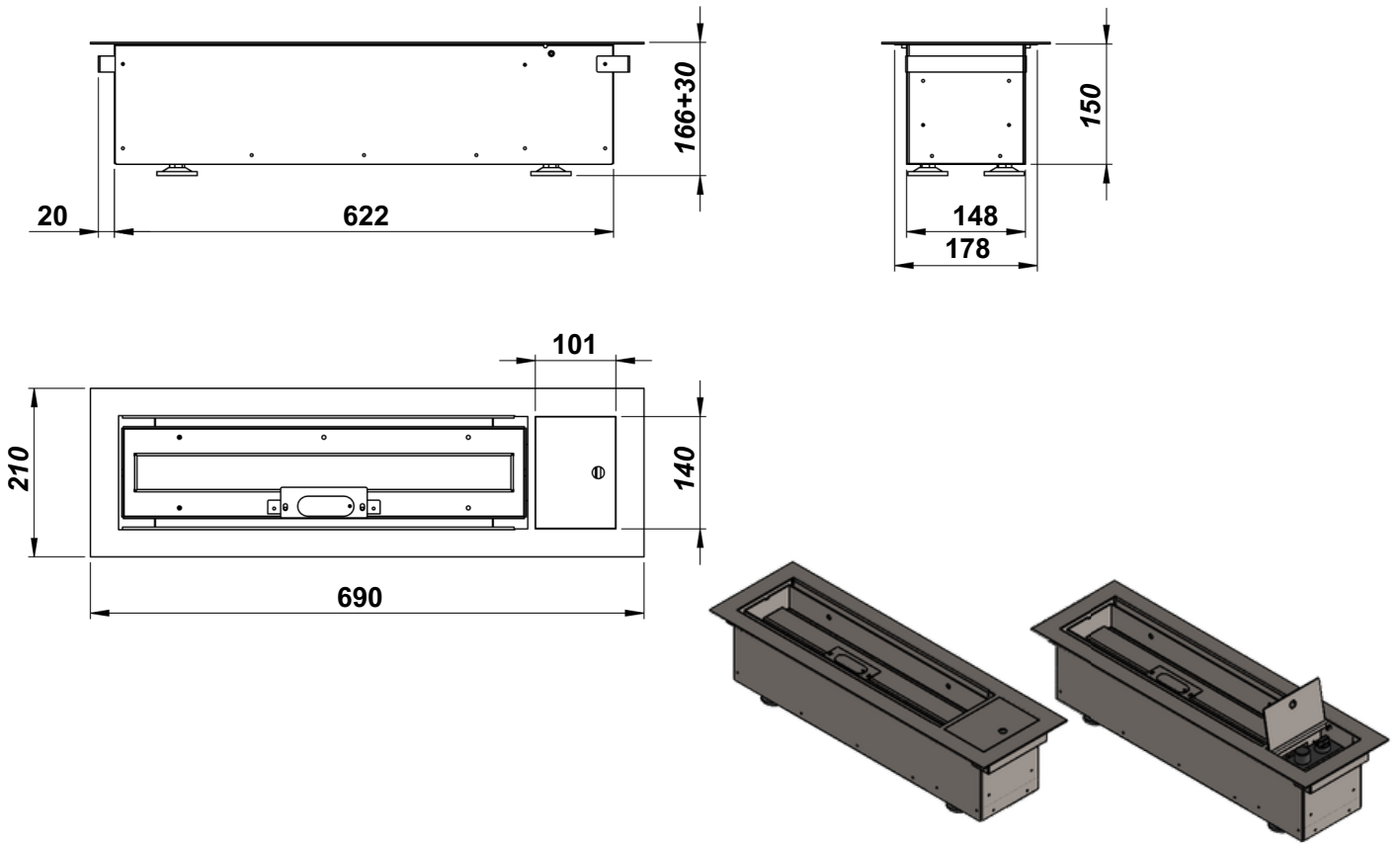
	30S	50L	75L	100L
Maximum power (kW) Natural gas	11,17	9,52	13,91	15,34
Maximum power (kW) LPG	9,29	9,78	14,17	17,15
Gas consumption natural gas m <sup>3</sup> /h propane gas kg/h	1,12 - 0,50	1,03 - 0,51	1,50 - 0,76	1,66 - 0,93
Operating	Manual or remote control	Handmatig of afstandsbediening	Manual or remote control	Manual or remote control
Burner bed filling	Basalt stones	Basalt stones	Basalt stones	Basalt stones
Material from	High-quality stainless steel	High-quality stainless steel	High-quality stainless steel	High-quality stainless steel

## Line drawing

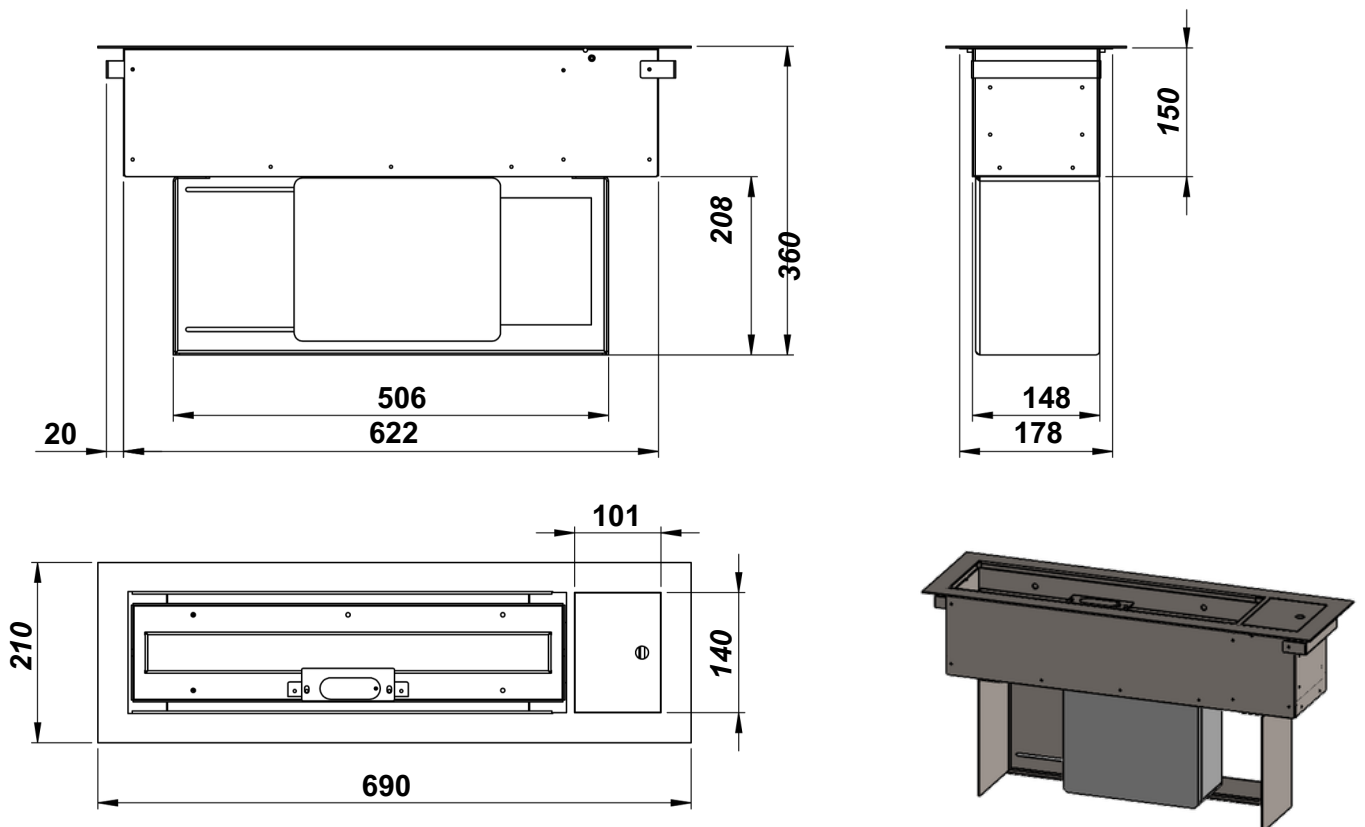
TRIMLINE OUTDOOR 30S MANUAL/REMOTE



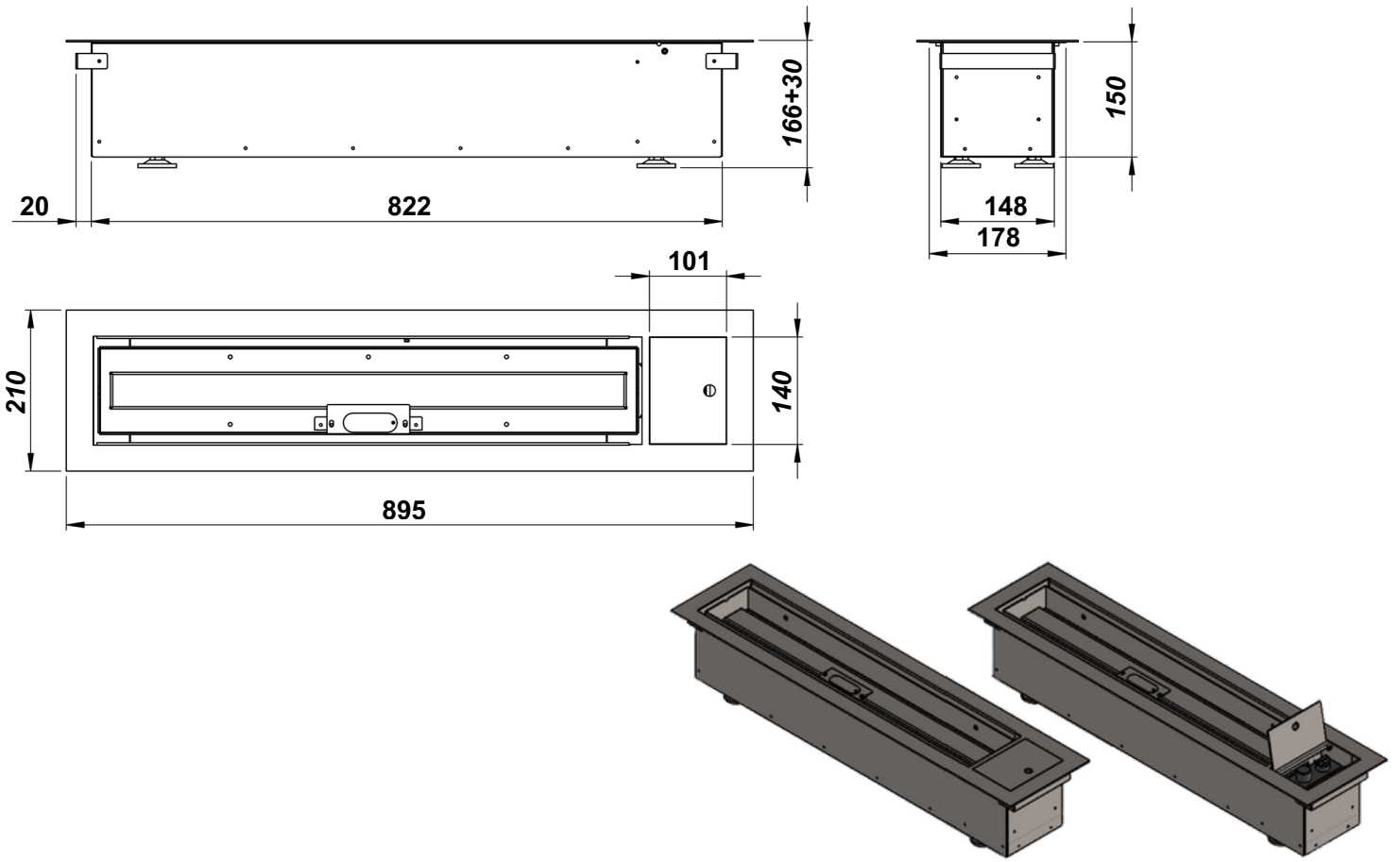
TRIMLINE OUTDOOR 50L MANUAL



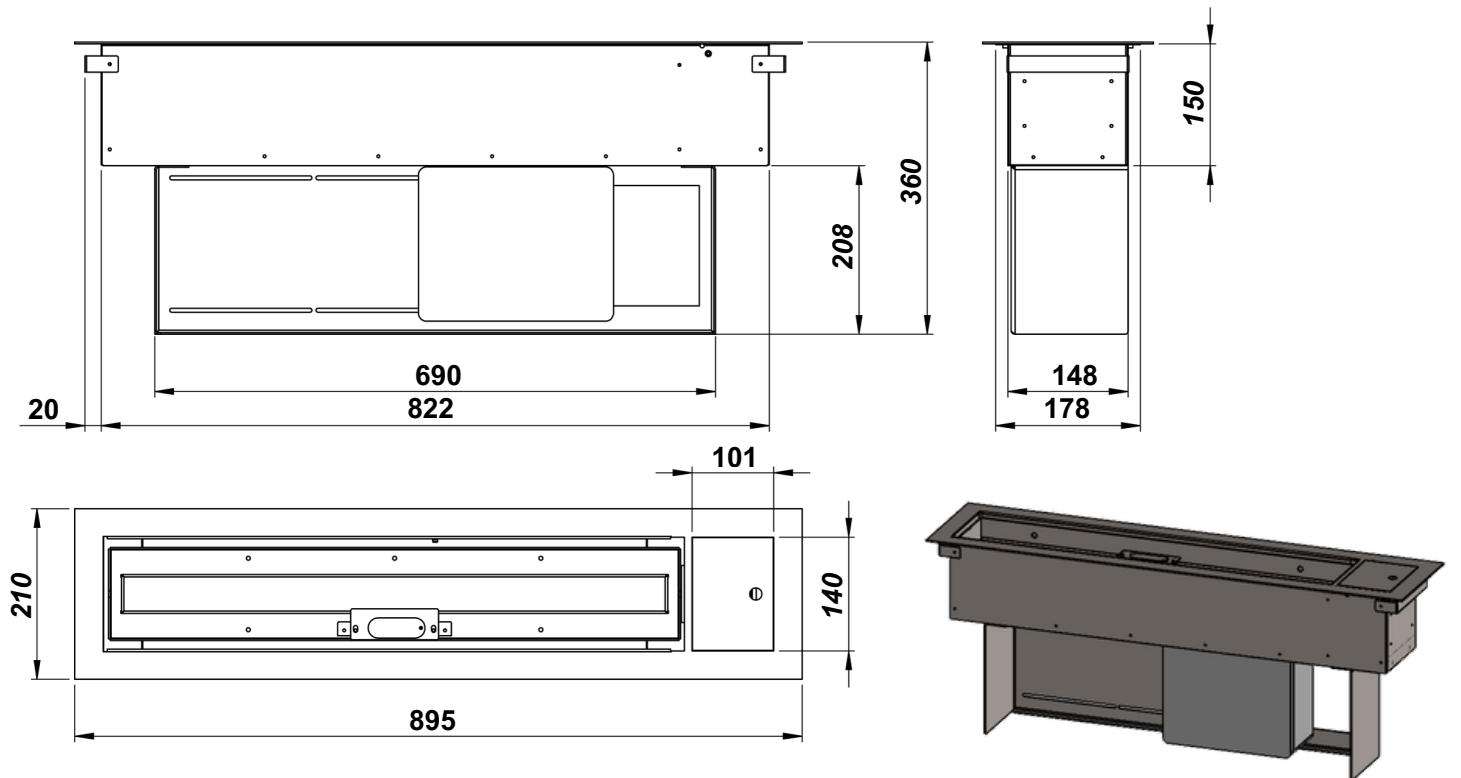
TRIMLINE OUTDOOR 50L REMOTE



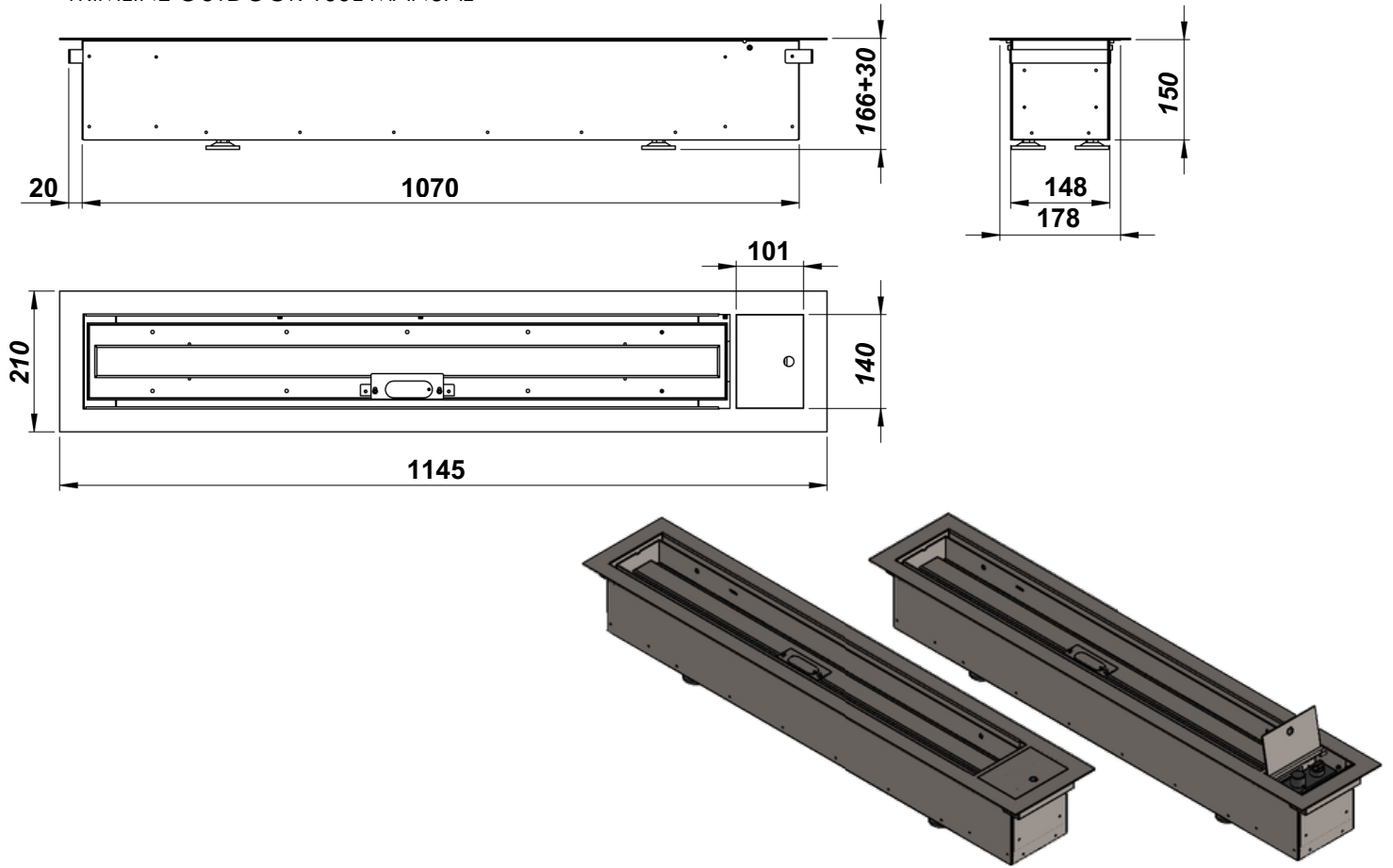
TRIMLINE OUTDOOR 75L MANUAL



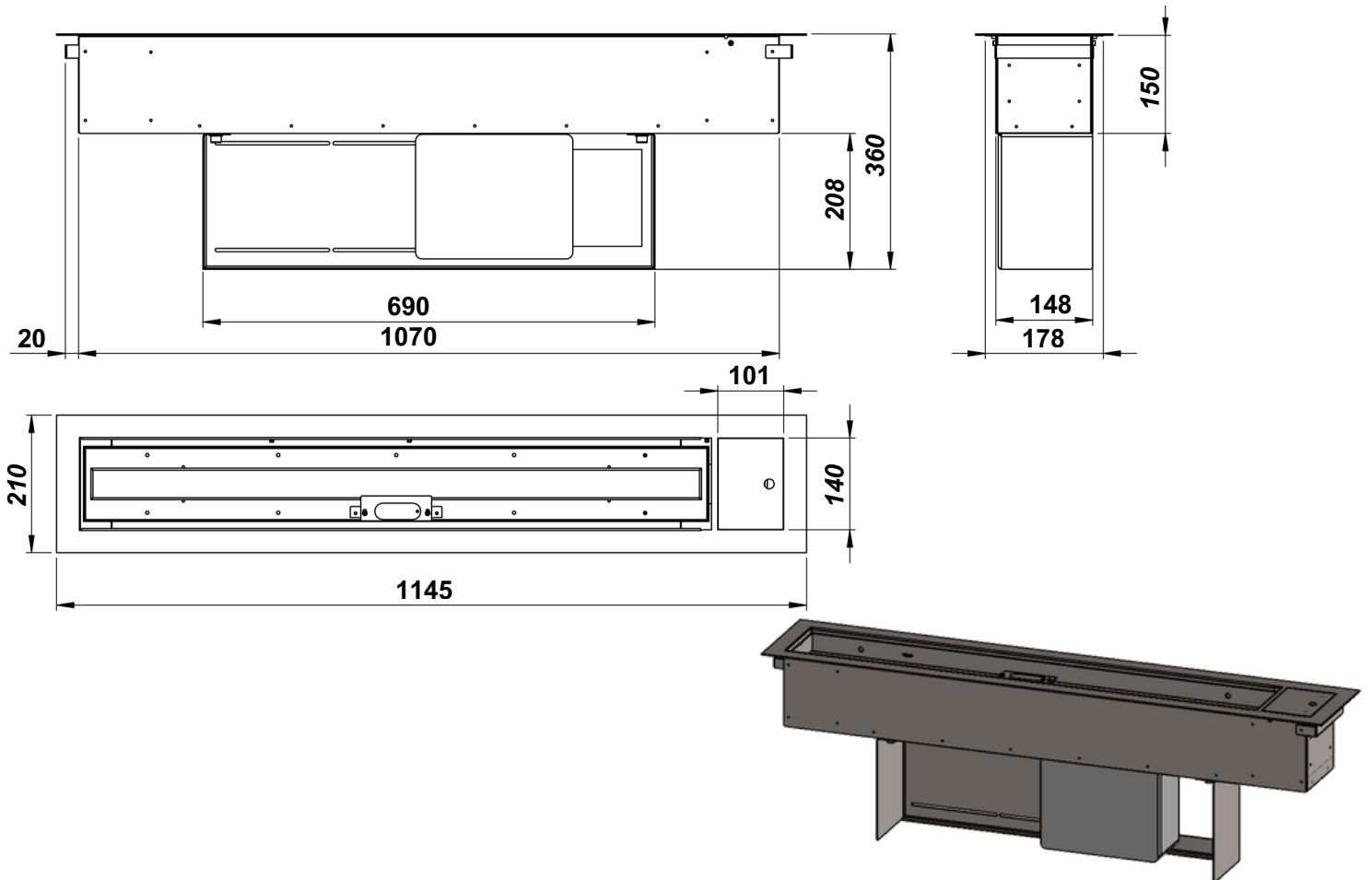
TRIMLINE OUTDOOR 75L REMOTE



TRIMLINE OUTDOOR 100L MANUAL



TRIMLINE OUTDOOR 100L REMOTE





Trimline Outdoor 30S

# Trimline Outdoor 30S/ 50L/75L/100L



Trimline Outdoor 50L



Trimline Outdoor 100L

Strak, slim en opvallend aanpasbaar. De Trimline gasgestookte Inbouwbrander serie herdefinieert de manier waarop vuur integreert in uw buitenruimte. Ontworpen voor zowel minimalisten als designliefhebbers, brengt deze open inbouwbrander serie een strakke vuuresthetiek tot leven – met de vrijheid om uw eigen installatie eromheen te vormen. De producten zijn vervaardigd uit hoogwaardig RVS en goed bestand tegen de weersinvloeden.

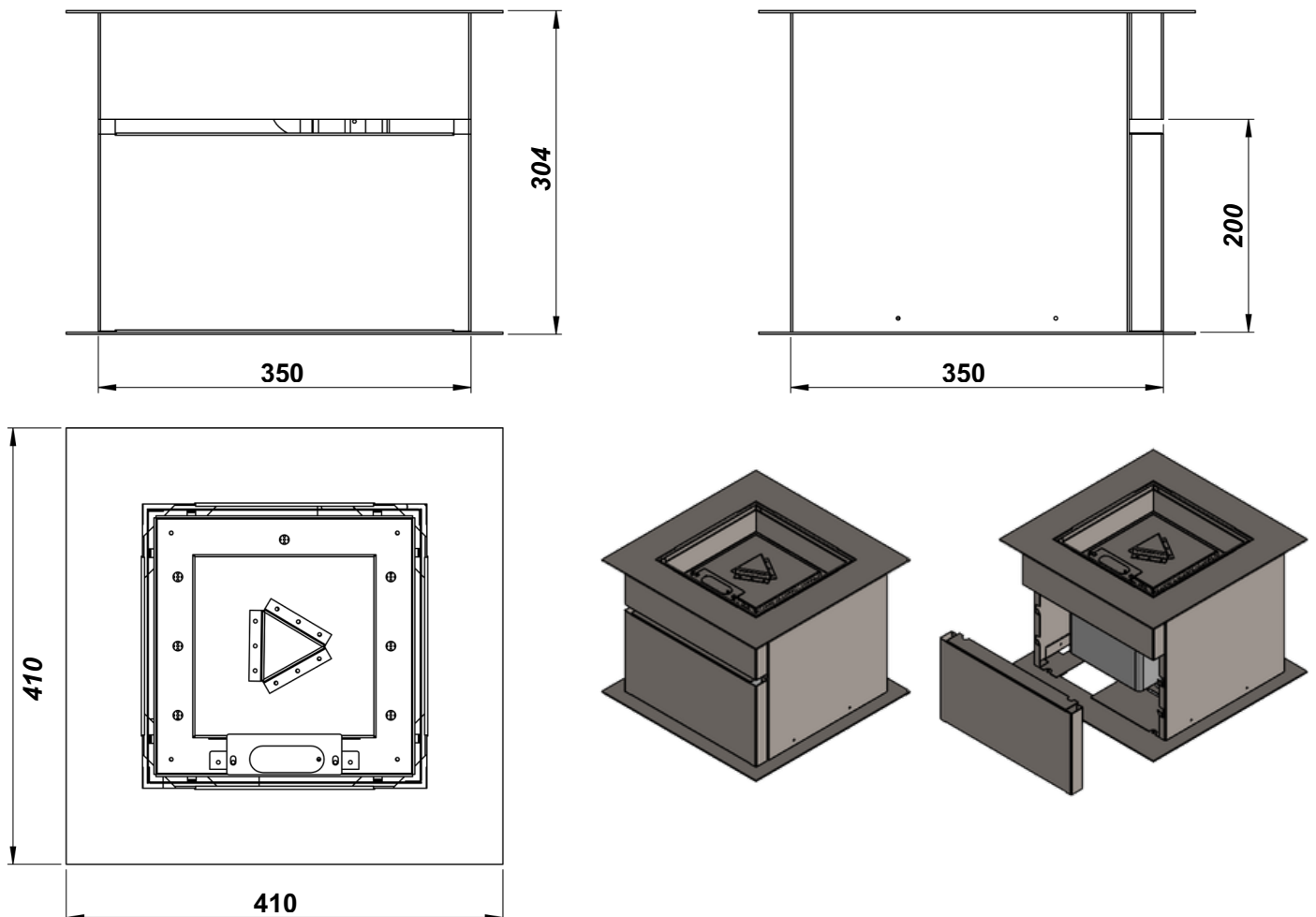
Available in four meticulously engineered formats – 30S, 50L, 75L, and 100L – the burner tray series fits effortlessly into a wide range of outdoor concepts.

## Technische specificaties

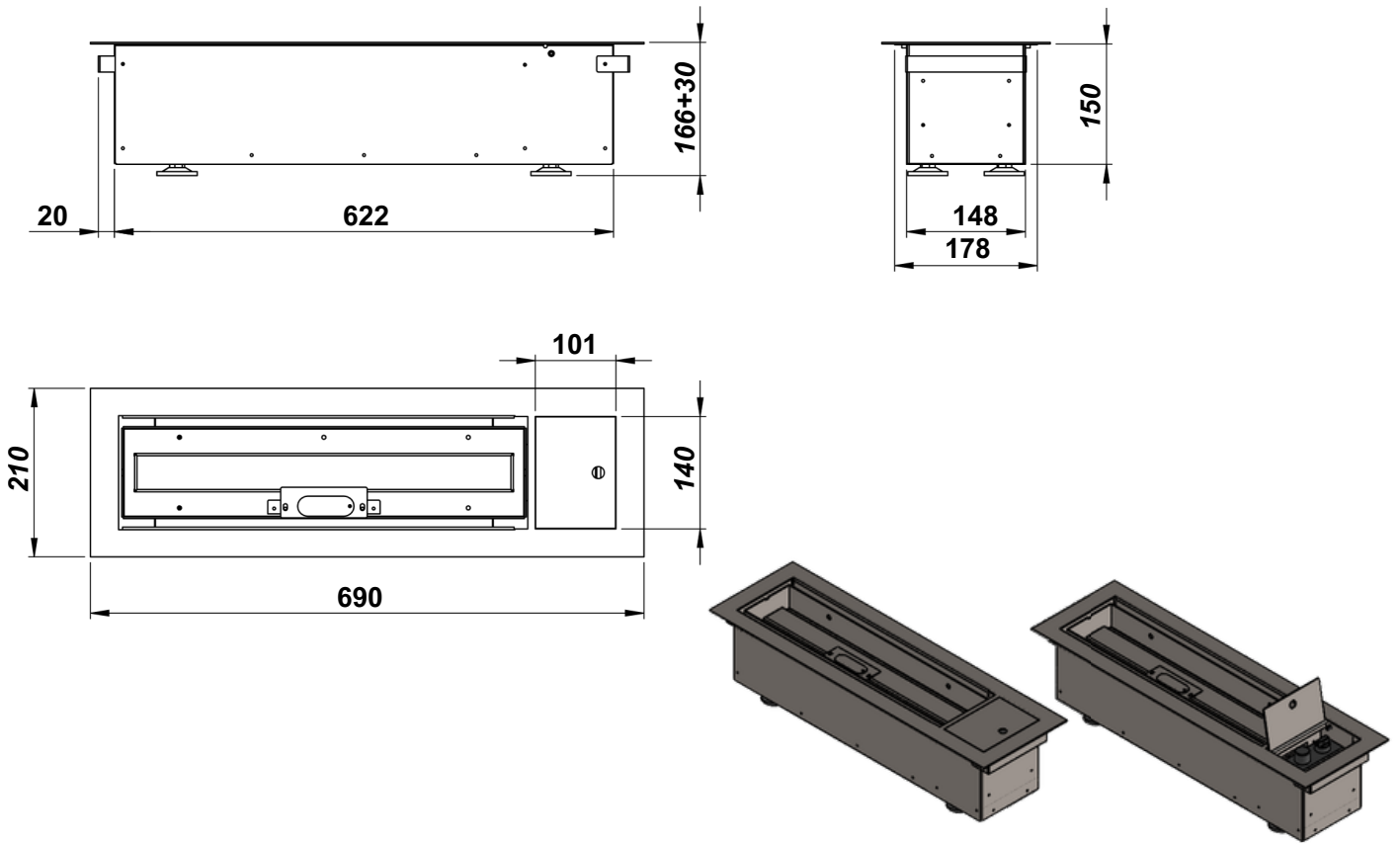
	30S	50L	75L	100L
Maximaal vermogen (kW) Aardgas	11,17	9,52	13,91	15,34
Maximaal vermogen (kW) LPG	9,29	9,78	14,17	17,15
Gasverbruik aardgas m <sup>3</sup> /h- propaangas kg/h	1,12 - 0,50	1,03 - 0,51	1,50 - 0,76	1,66 - 0,93
Bediening	Handmatig of afstandsbediening	Handmatig of afstandsbediening	Handmatig of afstandsbediening	Handmatig of afstandsbediening
Branderbedvulling	Basalt stenen	Basalt stenen	Basalt stenen	Basalt stenen
Materiaal	Hoogwaardig RVS	Hoogwaardig RVS	Hoogwaardig RVS	Hoogwaardig RVS

## Maattekening

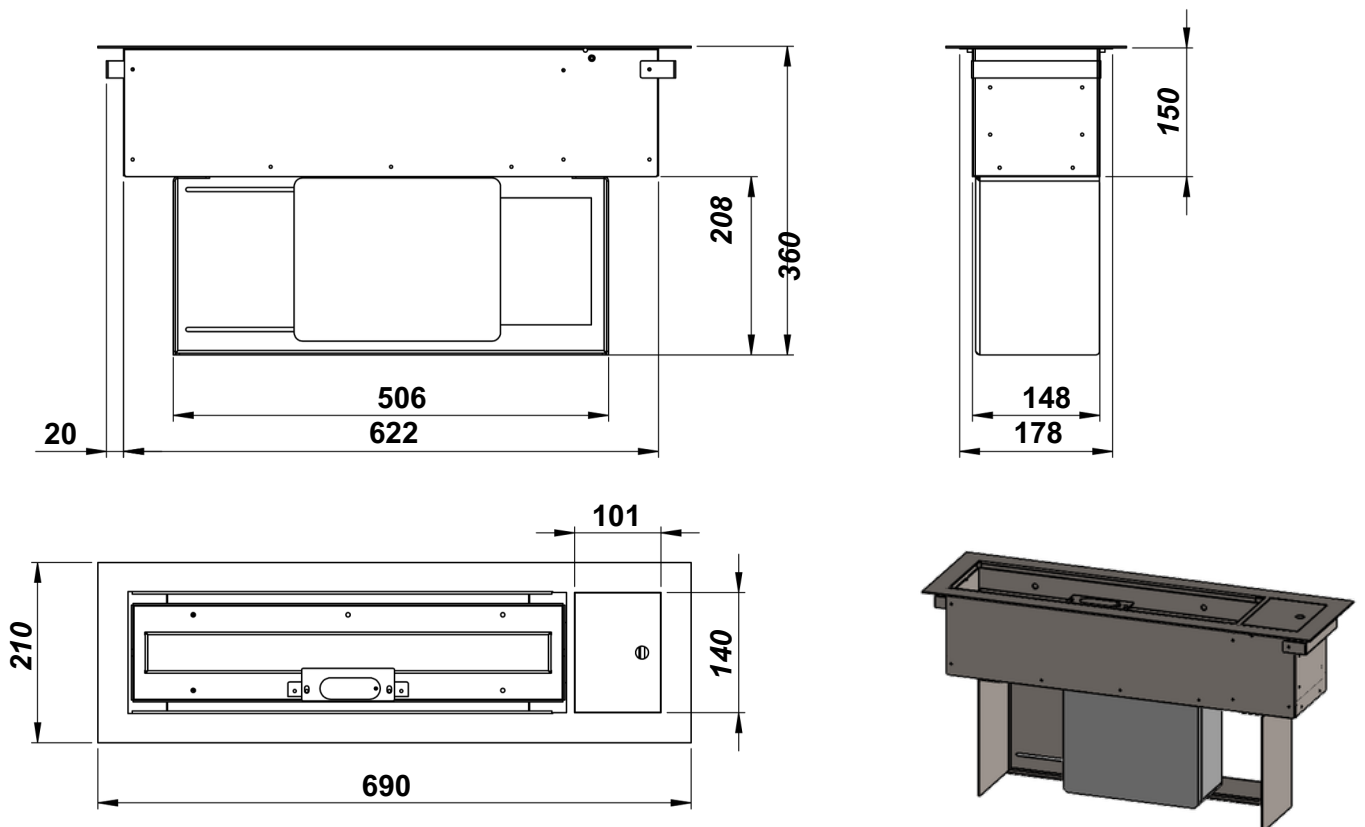
TRIMLINE OUTDOOR 30S MANUAL/REMOTE



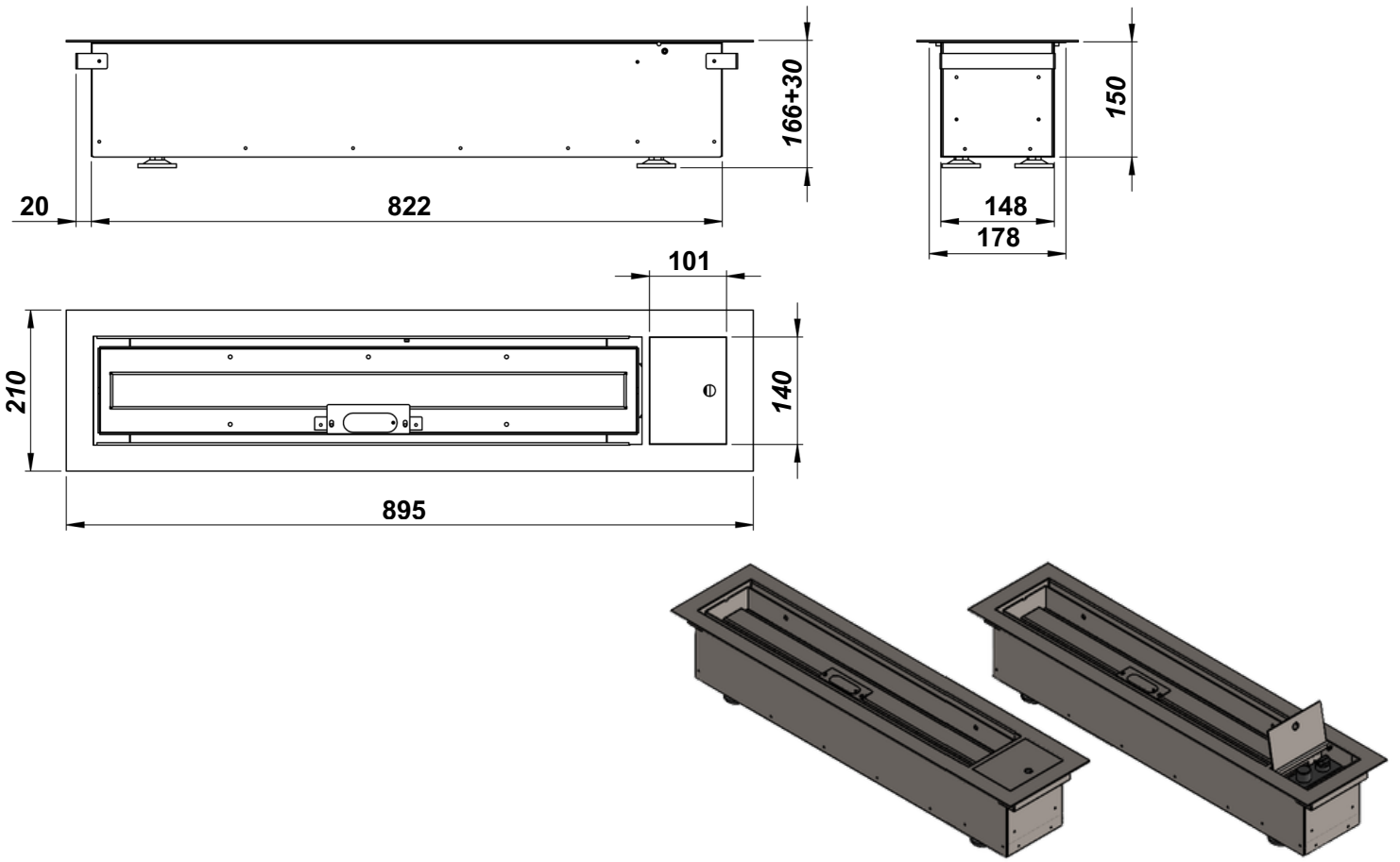
TRIMLINE OUTDOOR 50L MANUAL



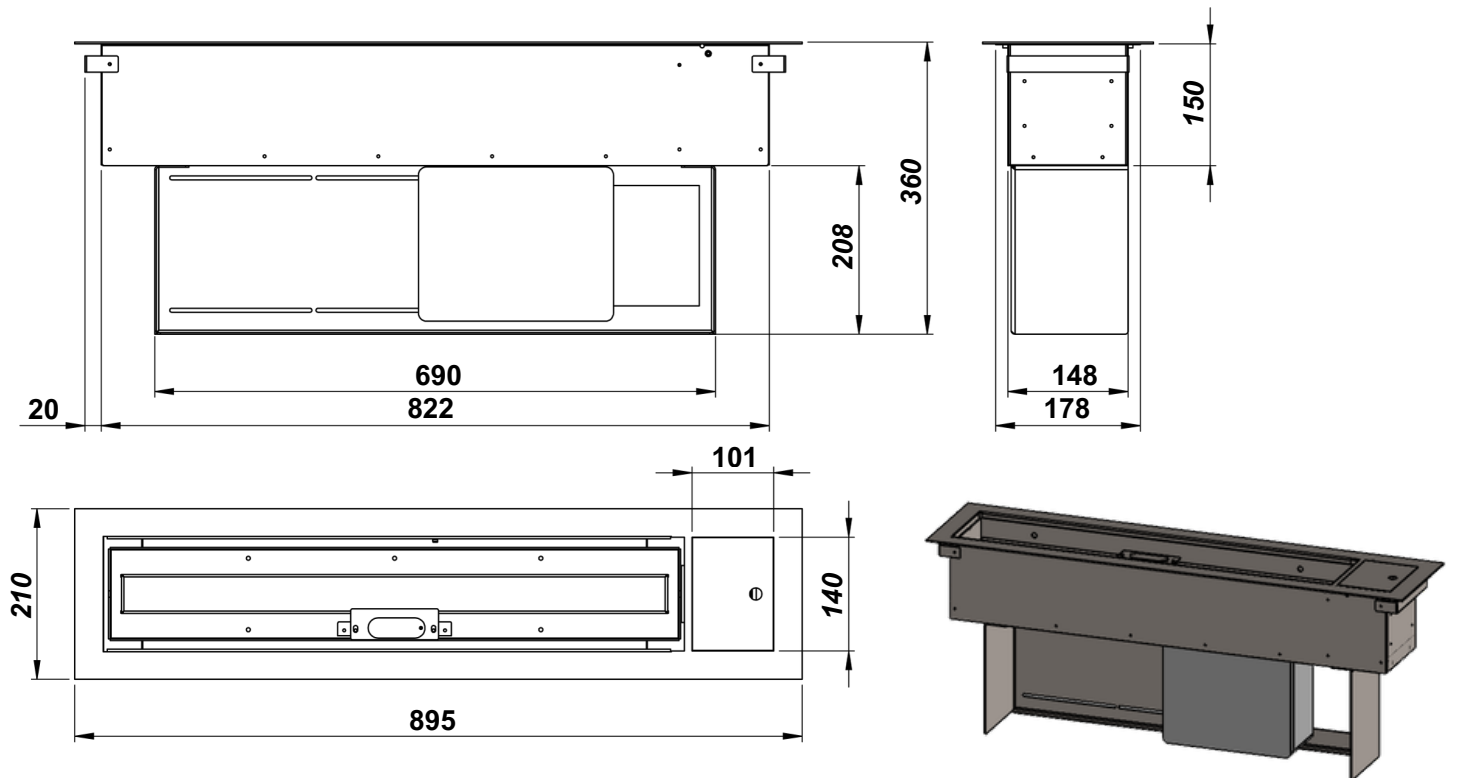
TRIMLINE OUTDOOR 50L REMOTE



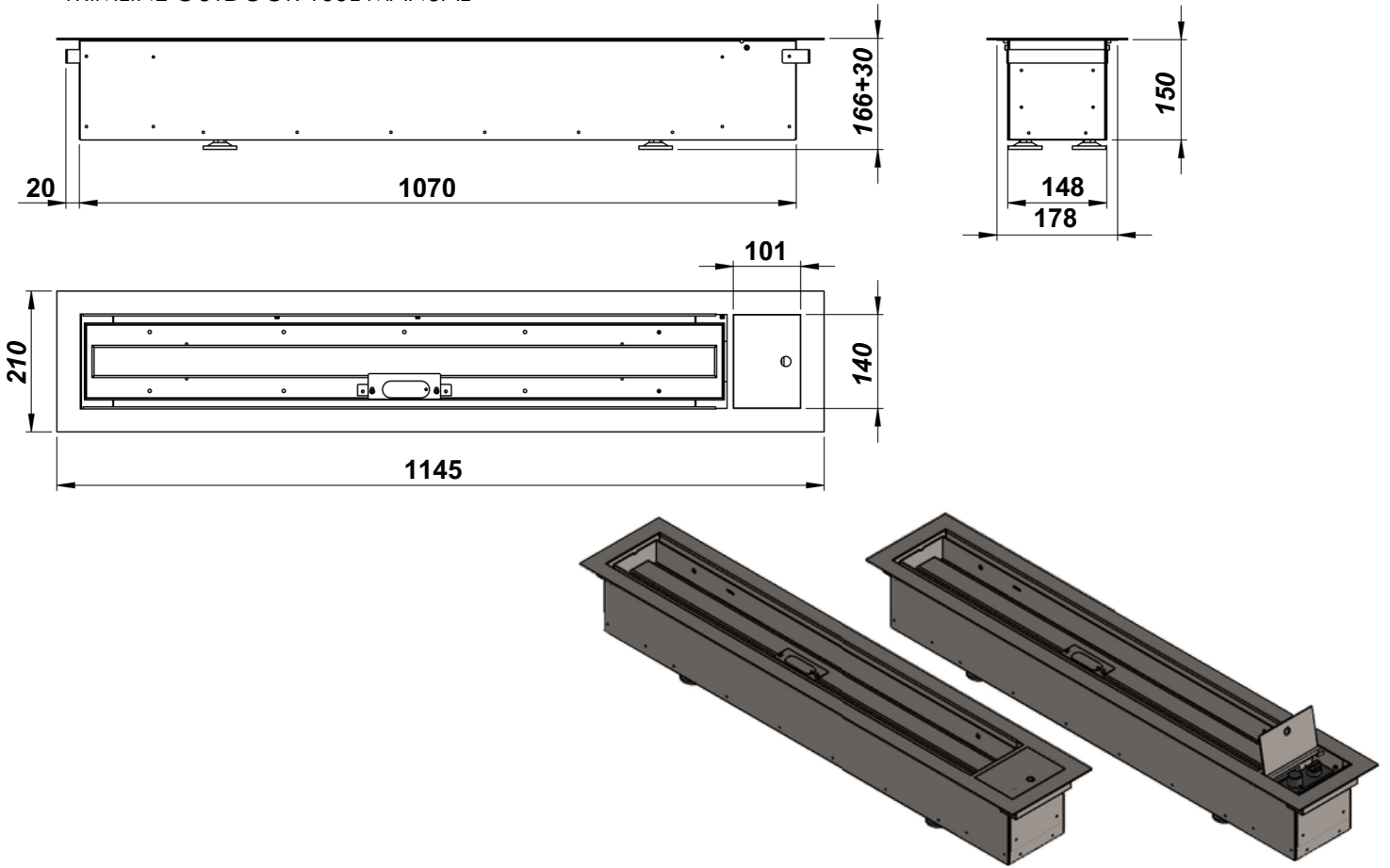
TRIMLINE OUTDOOR 75L MANUAL



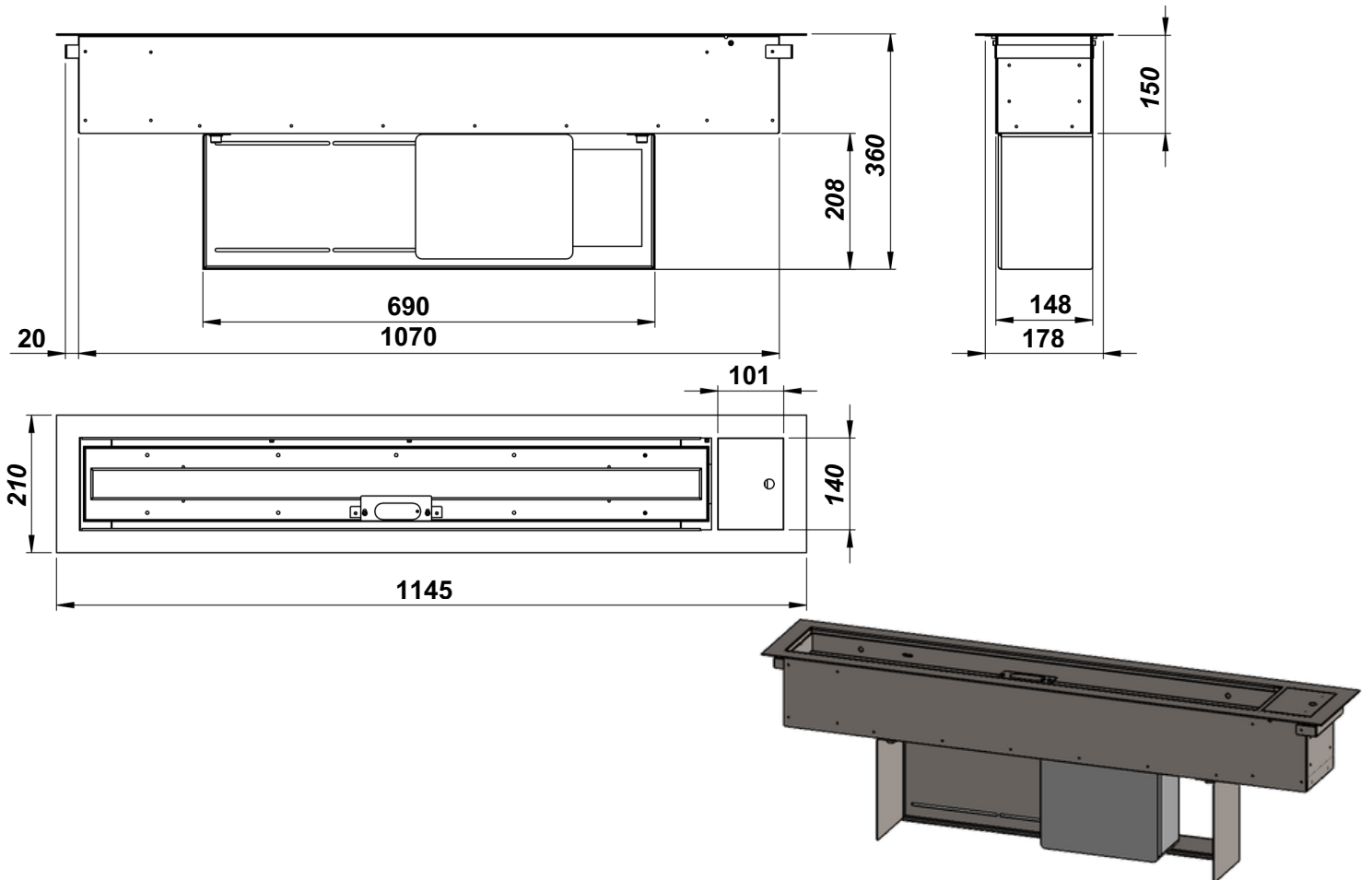
TRIMLINE OUTDOOR 75L REMOTE



TRIMLINE OUTDOOR 100L MANUAL



TRIMLINE OUTDOOR 100L REMOTE





Trimline Outdoor 30S

# Trimline Outdoor 30S/ 50L/75L/100L



Trimline Outdoor 50L



Trimline Outdoor 100L

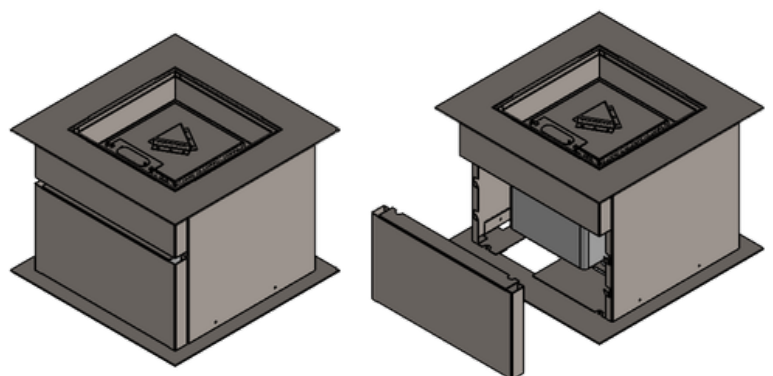
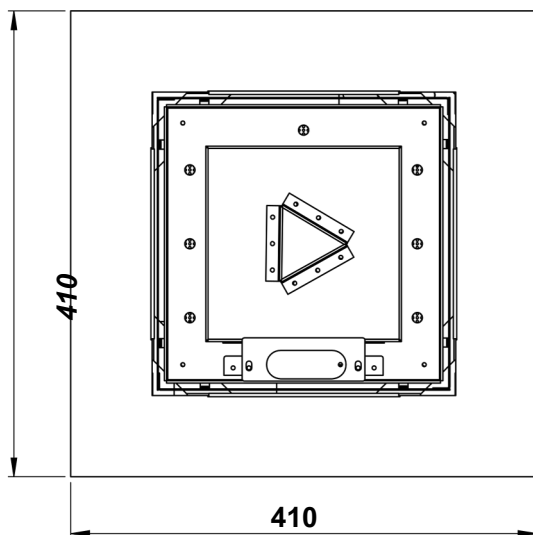
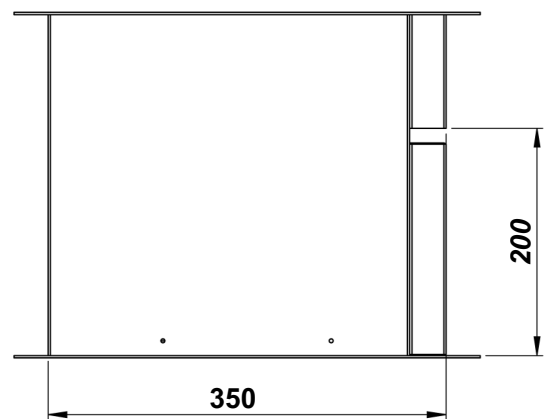
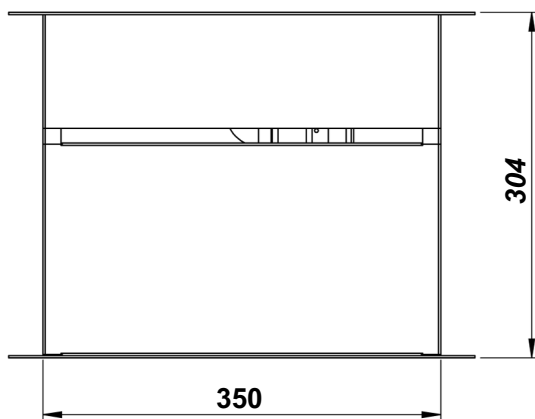
Schlank, schmal und auffallend anpassbar. Die Trimline gasbetriebene Einbaubrenner-Serie definiert neu, wie Feuer in Ihren Außenbereich integriert wird. Entwickelt für Minimalisten und Designliebhaber gleichermaßen, erweckt diese offene Einbaubrenner-Serie eine elegante Feuerästhetik zum Leben – mit der Freiheit, Ihre eigene Installation darum herum zu gestalten. Die Produkte sind aus hochwertigem Edelstahl gefertigt und gut witterungsbeständig. Erhältlich in vier sorgfältig konstruierten Formaten – 30S, 50L, 75L und 100L – fügt sich die Brennerschalen-Serie mühelos in eine Vielzahl von Outdoor-Konzepten ein.

## Technische Spezifikationen

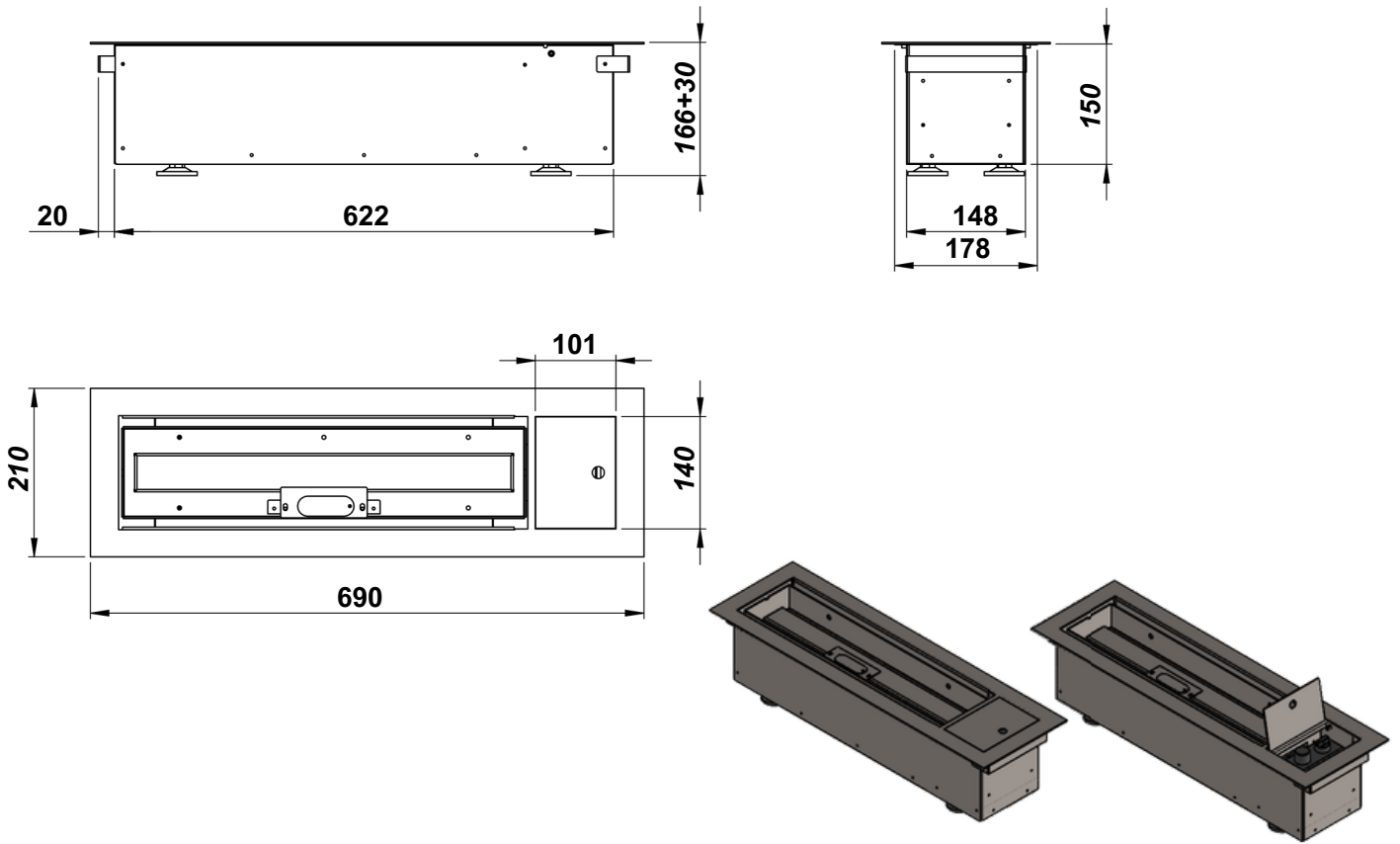
	30S	50L	75L	100L
Maximale Leistung (kW) Erdgas	11,17	9,52	13,91	15,34
Maximale Leistung (kW) LPG	9,29	9,78	14,17	17,15
Gasverbrauch Erdgas m <sup>3</sup> /h - Propangas kg/h	1,12 - 0,50	1,03 - 0,51	1,50 - 0,76	1,66 - 0,93
Ministerium	Manuelle oder Fernbedienung	Manuelle oder Fernbedienung	Manuelle oder Fernbedienung	Manuelle oder Fernbedienung
Branderbed-Füllung	Basaltstein	Basaltstein	Basaltstein	Basaltstein
Material	Hochwertiger Edelstahl	Hochwertiger Edelstahl	Hochwertiger Edelstahl	Hochwertiger Edelstahl

## Maßzeichnung

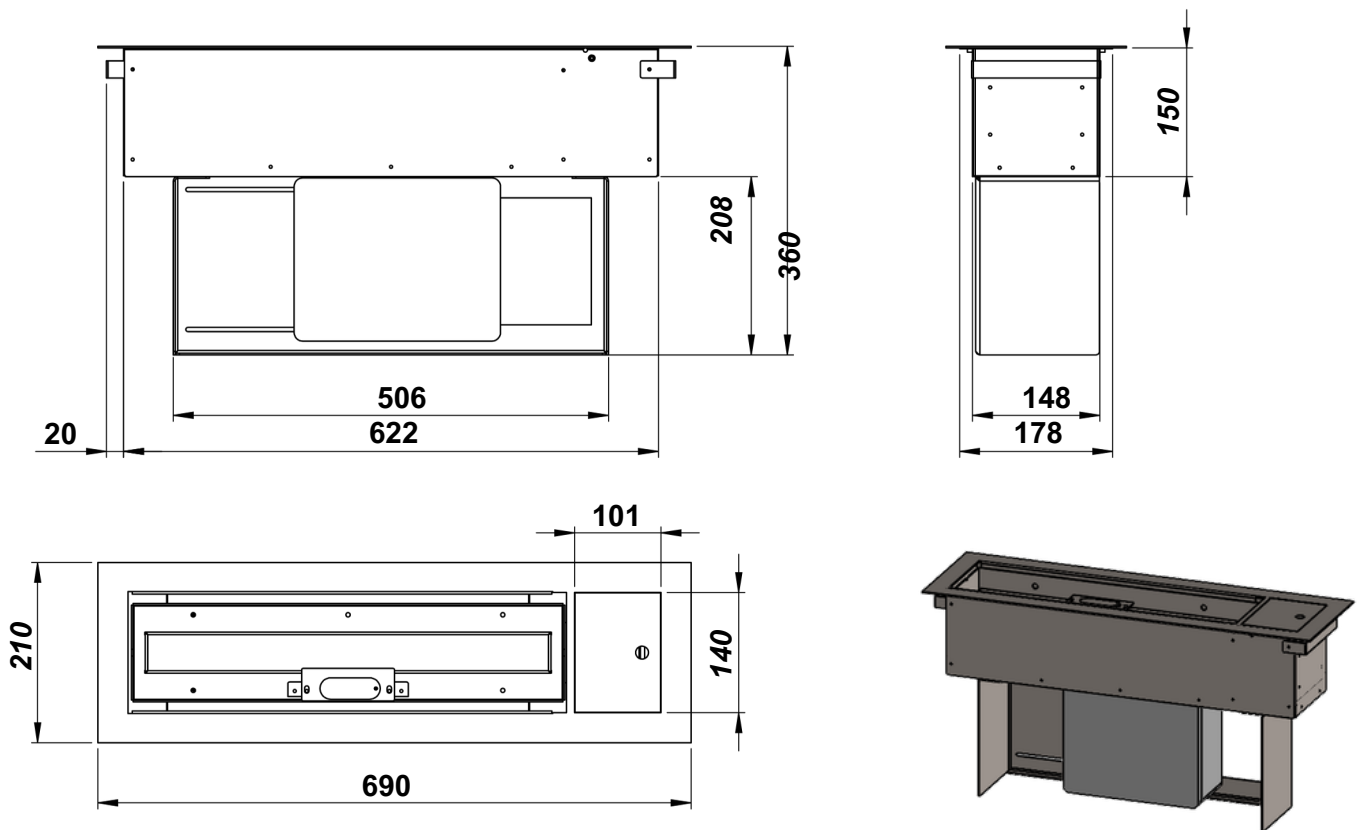
TRIMLINE OUTDOOR 30S MANUAL/REMOTE



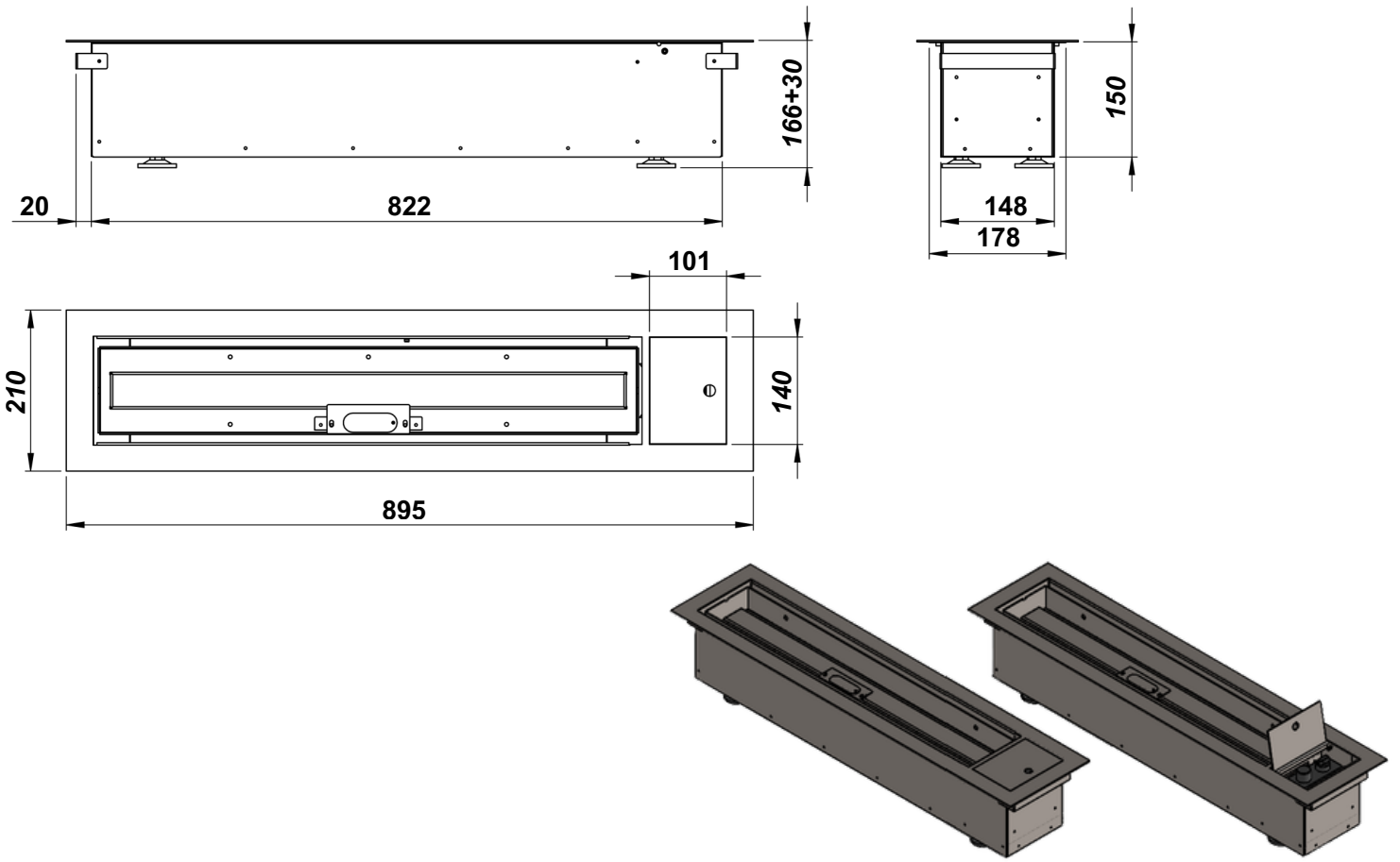
TRIMLINE OUTDOOR 50L MANUAL



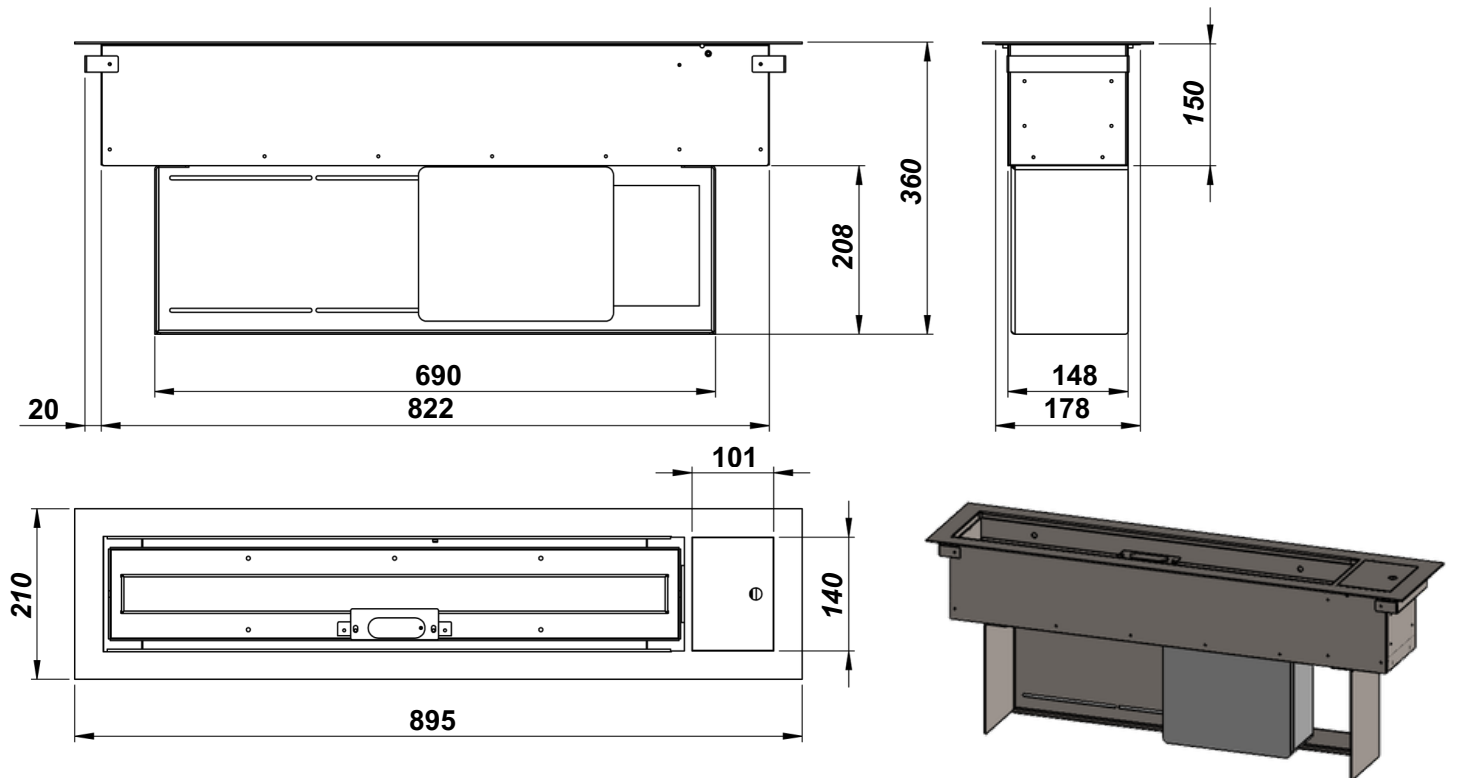
TRIMLINE OUTDOOR 50L REMOTE



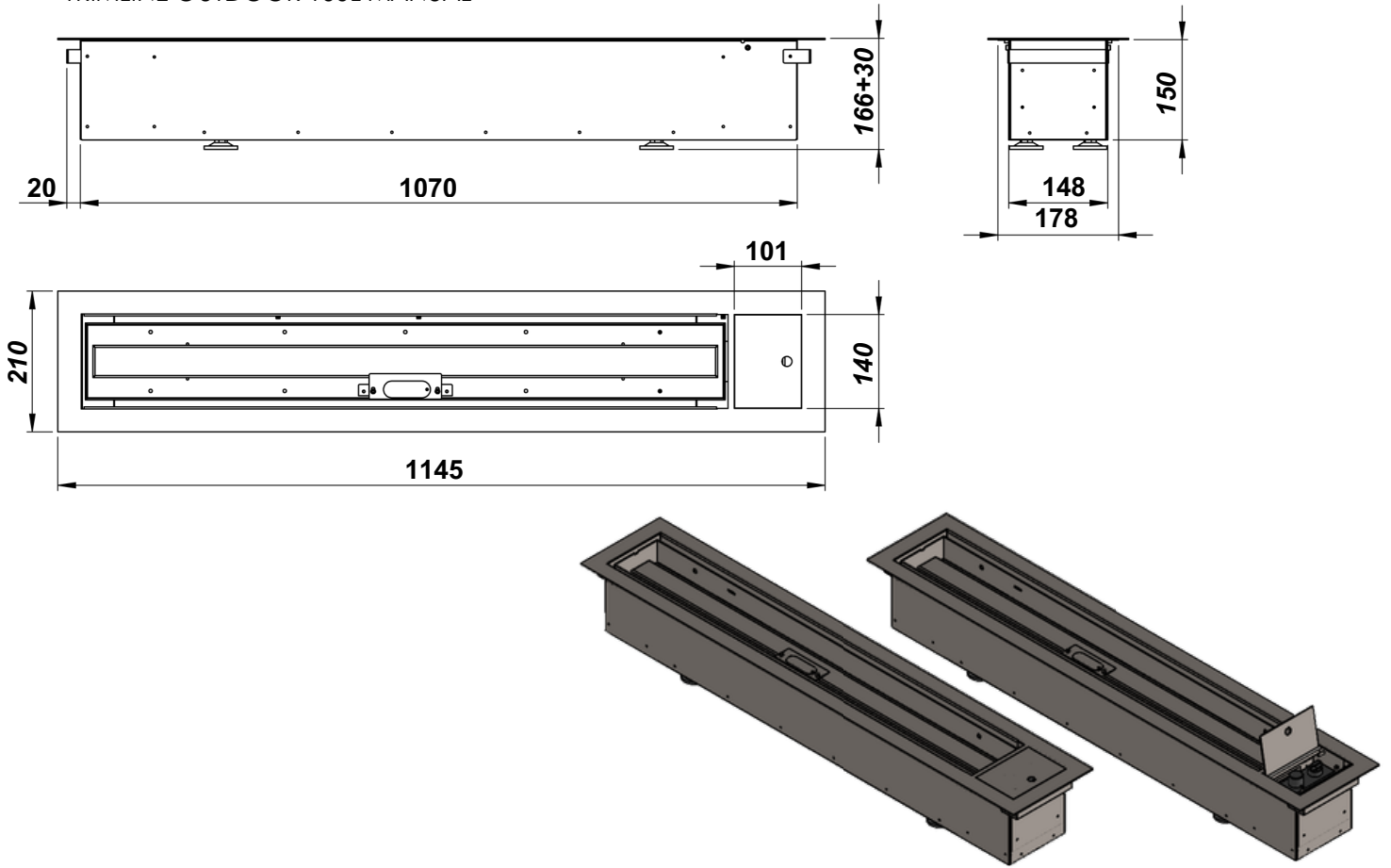
TRIMLINE OUTDOOR 75L MANUAL



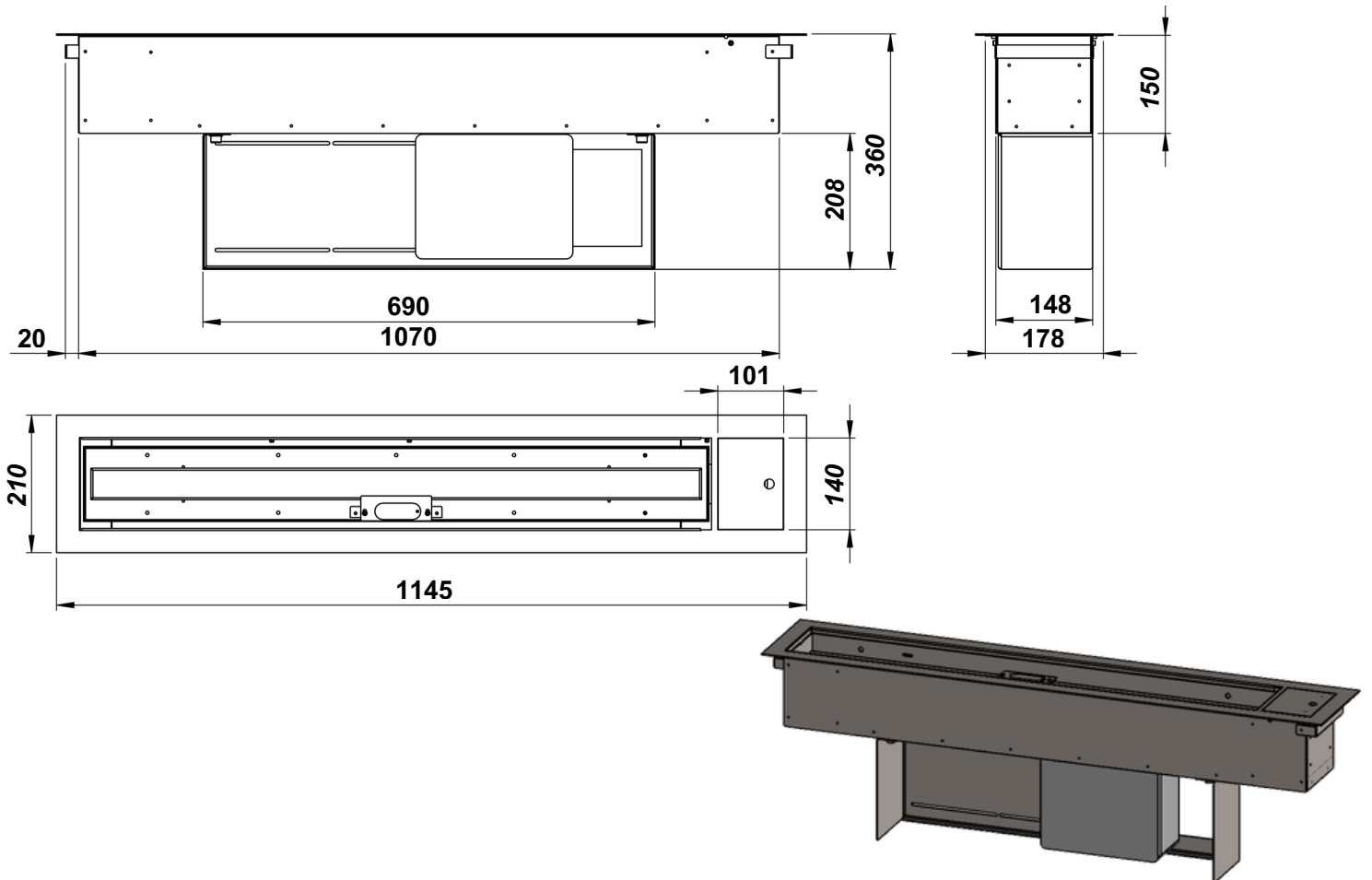
TRIMLINE OUTDOOR 75L REMOTE



TRIMLINE OUTDOOR 100L MANUAL



TRIMLINE OUTDOOR 100L REMOTE





Trimline Outdoor 30S

# Trimline Outdoor 30S/ 50L/75L/100L



Trimline Outdoor 50L



Trimline Outdoor 100L

Elegante, sottile e straordinariamente personalizzabile. La serie di bruciatori da incasso a gas Trimline ridefinisce il modo in cui il fuoco si integra nel vostro spazio esterno. Progettata sia per i minimalisti che per gli amanti del design, questa serie di bruciatori da incasso aperti dà vita a un'estetica del fuoco raffinata – con la libertà di creare la propria installazione attorno ad essa. I prodotti sono realizzati in acciaio inossidabile di alta qualità e resistono bene alle intemperie.

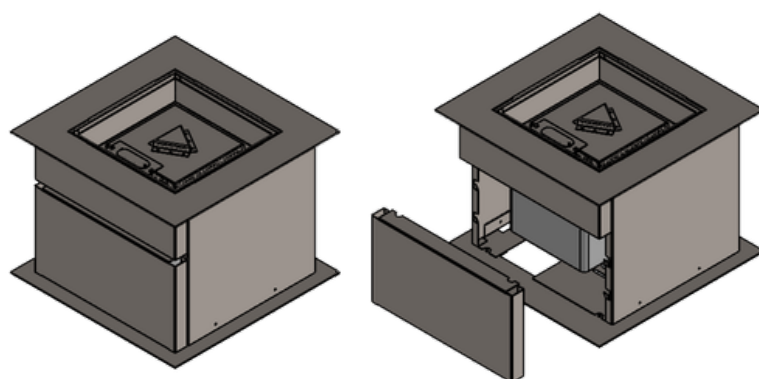
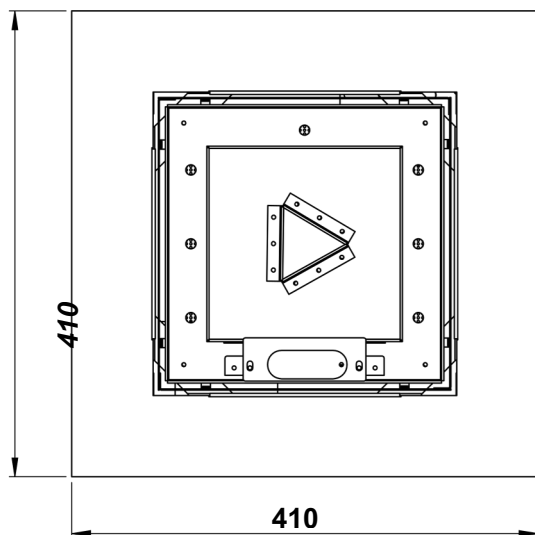
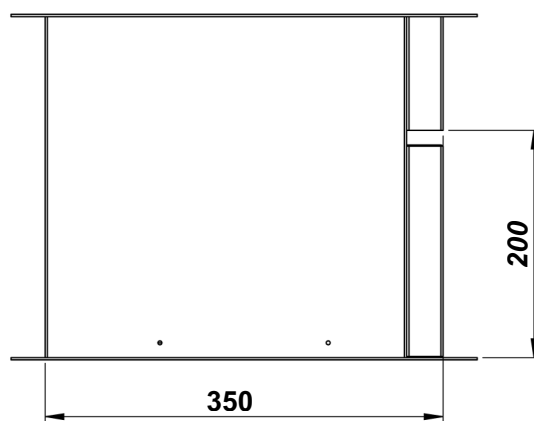
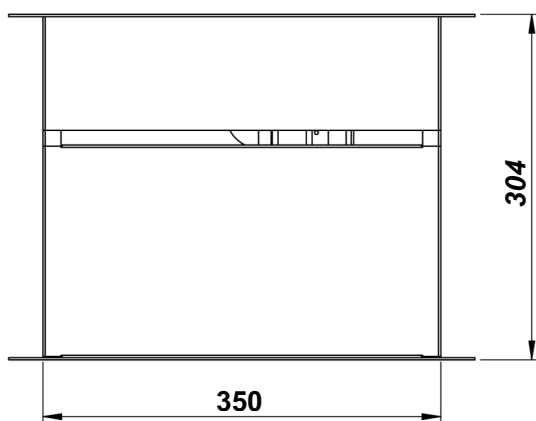
Disponibile in quattro formati meticolosamente progettati – 30S, 50L, 75L e 100L – la serie di vasche bruciatore si adatta facilmente a un'ampia gamma di concetti outdoor.

## Specifiche tecniche

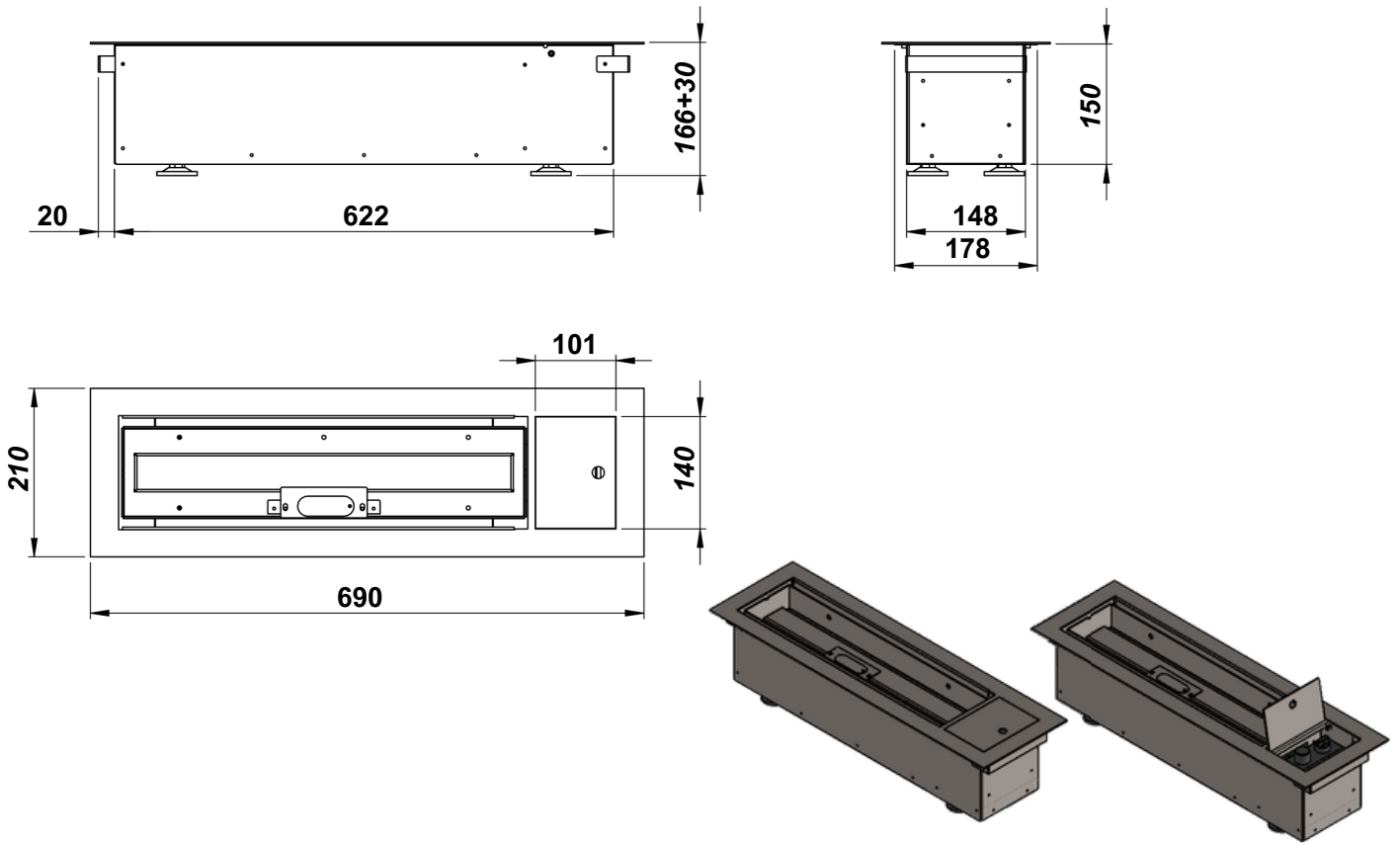
	30S	50L	75L	100L
Potenza massima (kW) Gas naturale	11,17	9,52	13,91	15,34
Potenza massima (kW) GPL	9,29	9,78	14,17	17,15
Consumo di gas naturale m <sup>3</sup> /h - gas propano kg/h	1,12 - 0,50	1,03 - 0,51	1,50 - 0,76	1,66 - 0,93
Ministero	Controllo manuale o remoto	Controllo manuale o remoto	Controllo manuale o remoto	Controllo manuale o remoto
riempimento del letto di brande	Pietra basaltica	Pietra basaltica	Pietra basaltica	Pietra basaltica
Materiale	acciaio inossidabile di alta qualità	acciaio inossidabile di alta qualità	acciaio inossidabile di alta qualità	acciaio inossidabile di alta qualità

## Disegno quotato

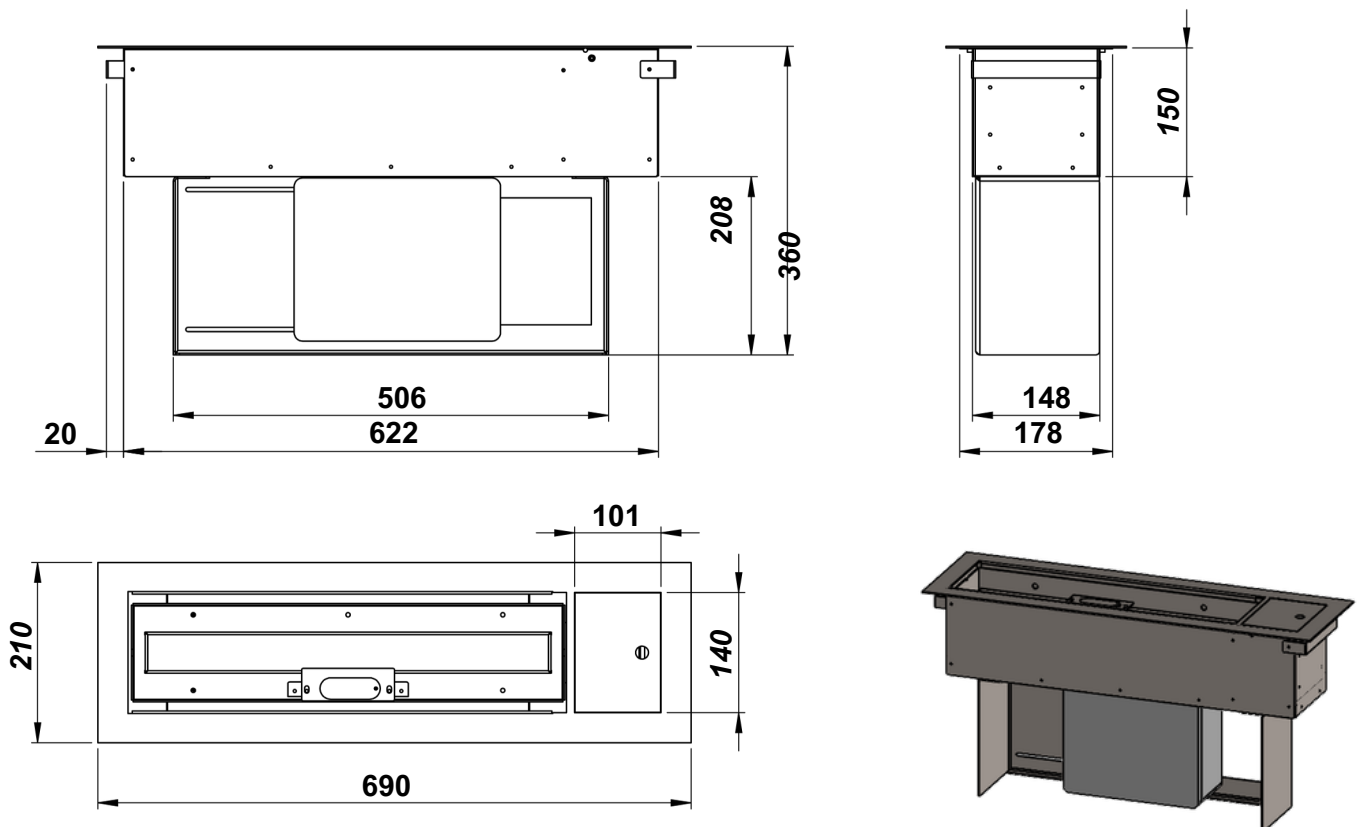
TRIMLINE OUTDOOR 30S MANUAL/REMOTE



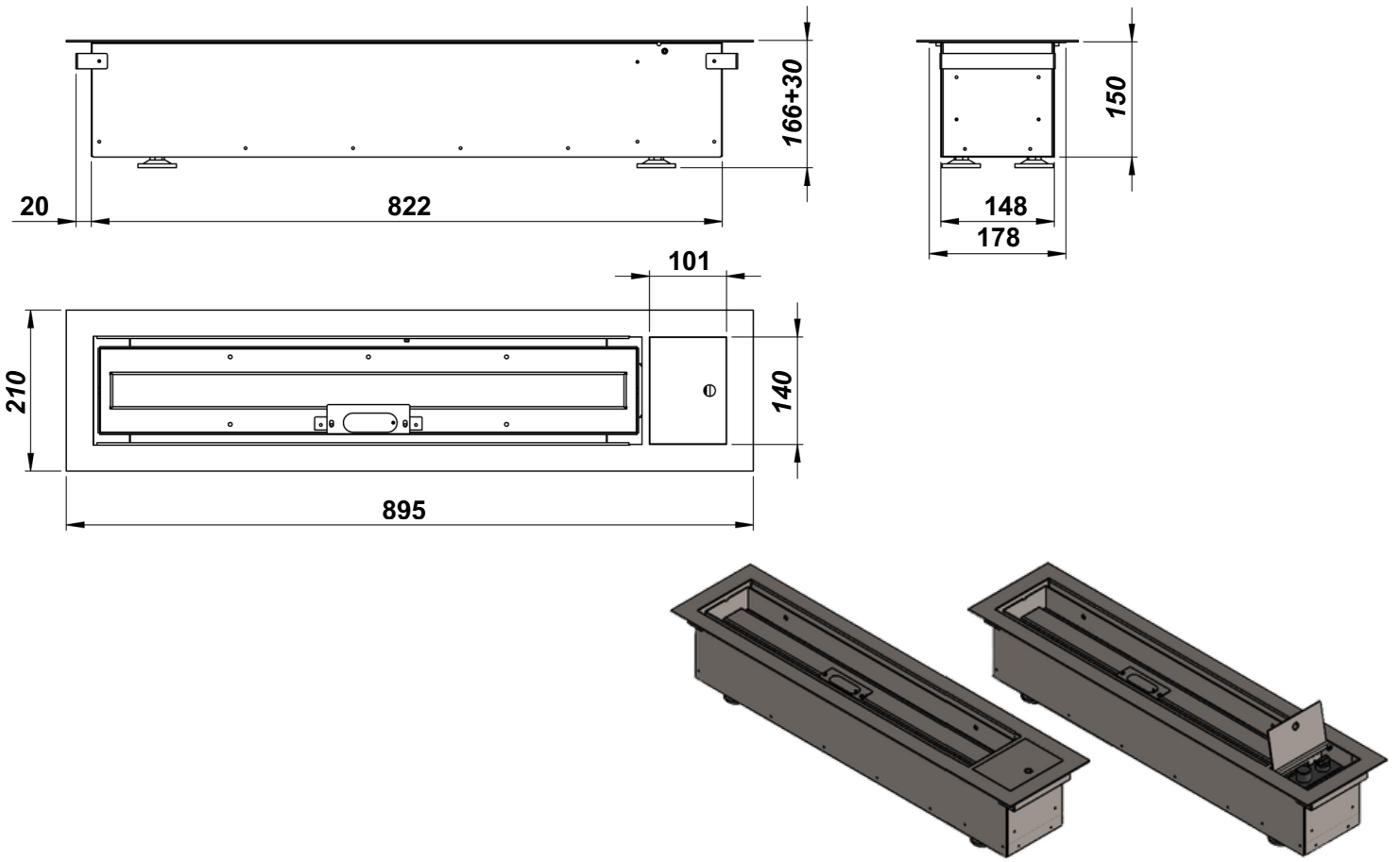
TRIMLINE OUTDOOR 50L MANUAL



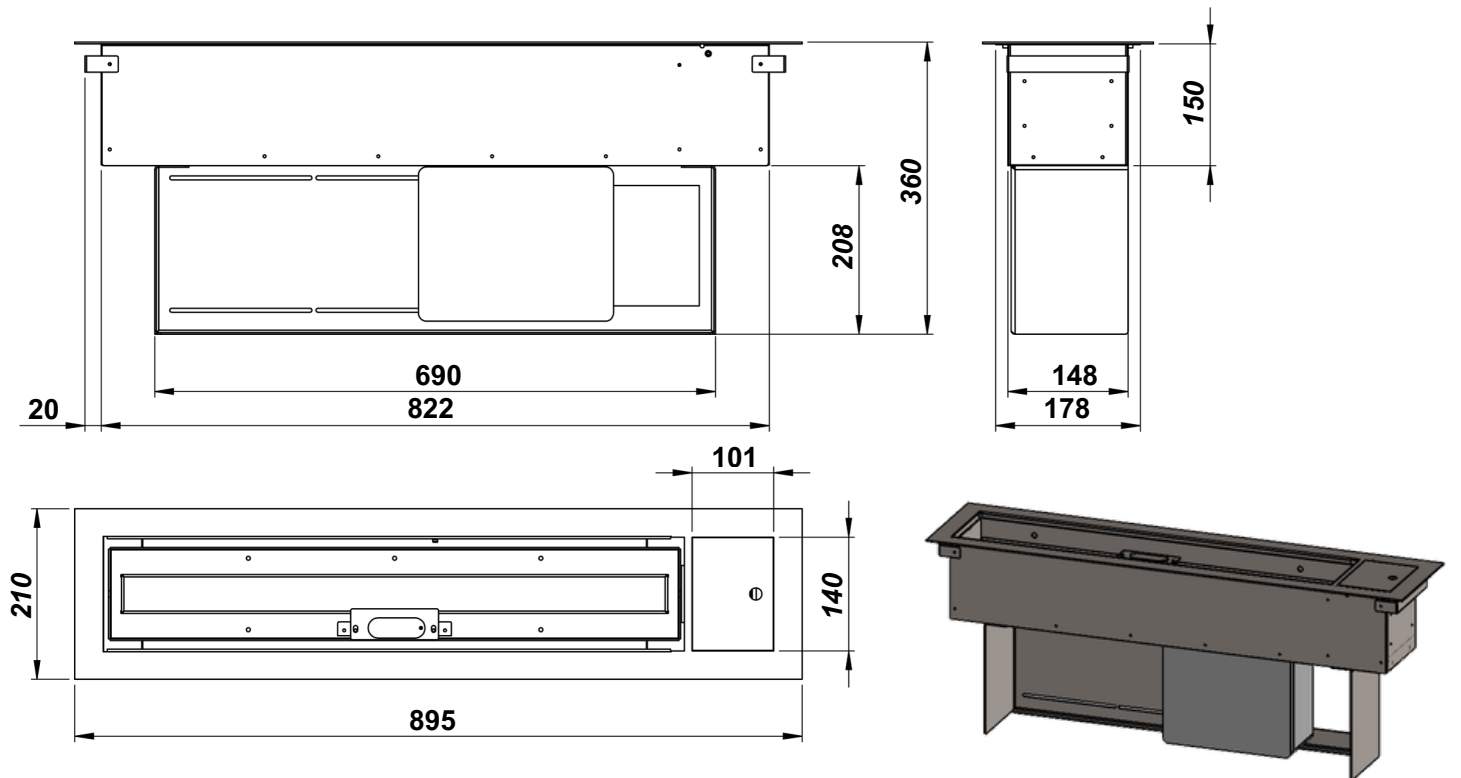
TRIMLINE OUTDOOR 50L REMOTE



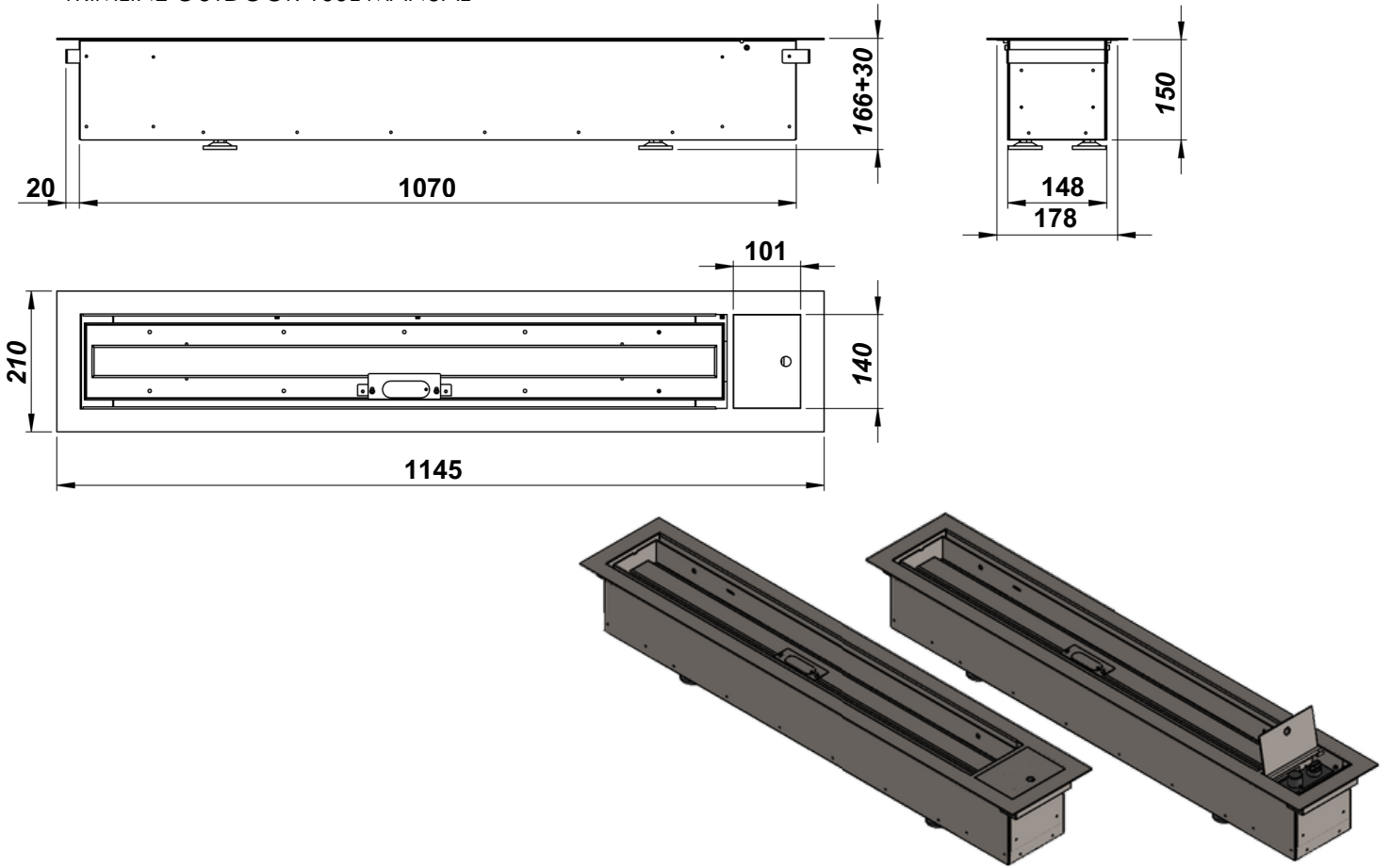
TRIMLINE OUTDOOR 75L MANUAL



TRIMLINE OUTDOOR 75L REMOTE



TRIMLINE OUTDOOR 100L MANUAL



TRIMLINE OUTDOOR 100L REMOTE

